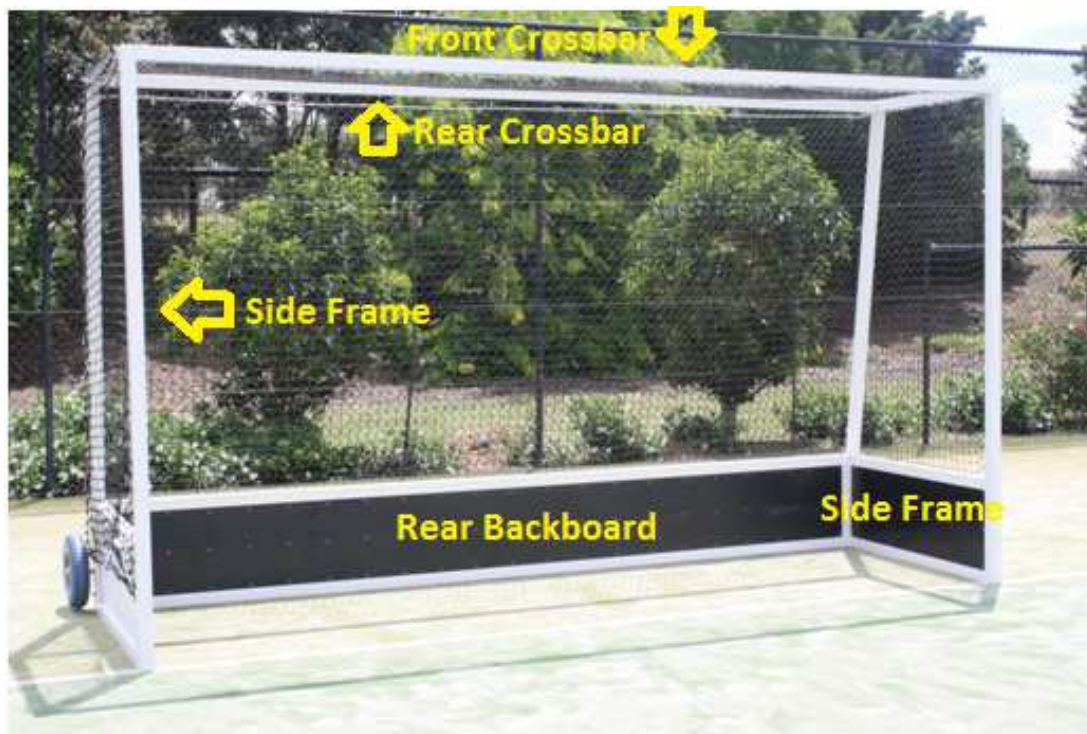


Premier Hockey Goal Installation Instructions

The following instructions must be followed to ensure that this Mayfield Sports Premier Hockey Goal System is not damaged during installation and that all parts are correctly installed. Mayfield Sports will not be held liable for any damage caused by incorrect or careless installation. If you have any questions regarding installation or if any of the instructions are not clear to you, please contact us on 09 291 9399/ 021 764 202 or email: kevin@tennisnets.co.nz

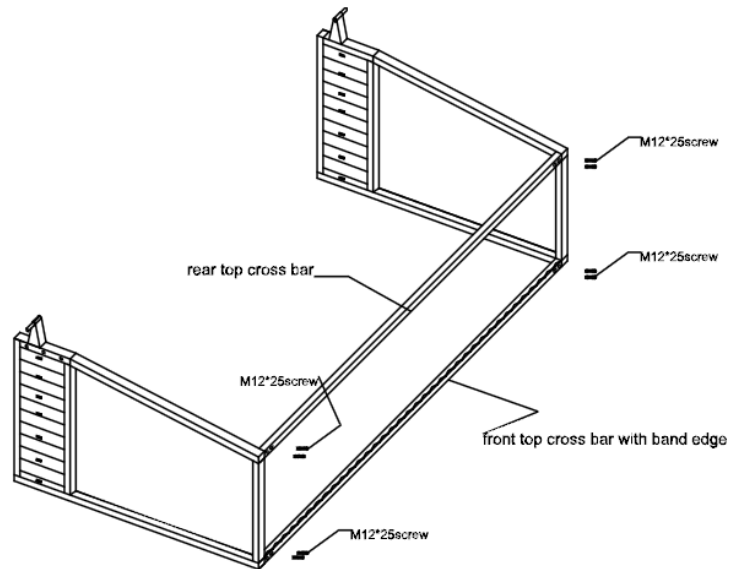


Equipment Checklist: (per goal)

- 2x Side Frames
- 1x Rear Backboard
- 1x Rear Crossbar
- 1x Front Crossbar
- 2x Rubber Wheels
- 1x Hockey Net
- 10x M12x30mm Bolts and M12 Washers
- 6x M12x90mm Bolts and M12 Washers
- 2x Wheel Spacer
- 2x Large Rubber Wheels
- 1x 8mm Allen Key
- 16x Cable Ties

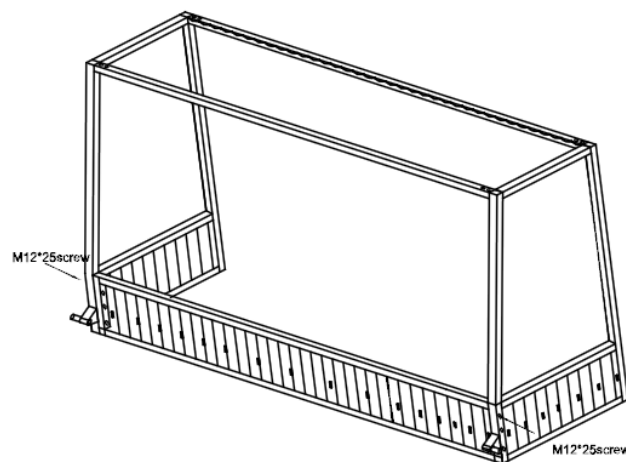
Step 1:

- Tip both side frames onto front (with wheel attachment off the ground as shown below).
- Loosely bolt front crossbar to both side frames with 4x M12x30mm bolts and washers as shown below. **Note: The front crossbar (only crossbar with band edge for attaching net) should be lying on the ground with the band edge facing towards the rear of the goal.**
- Attach rear crossbar loosely with 4x M12x30mm bolts and washers.
- Once both crossbars are attached tighten all 8 bolts firmly with 8mm Allen Key provided.



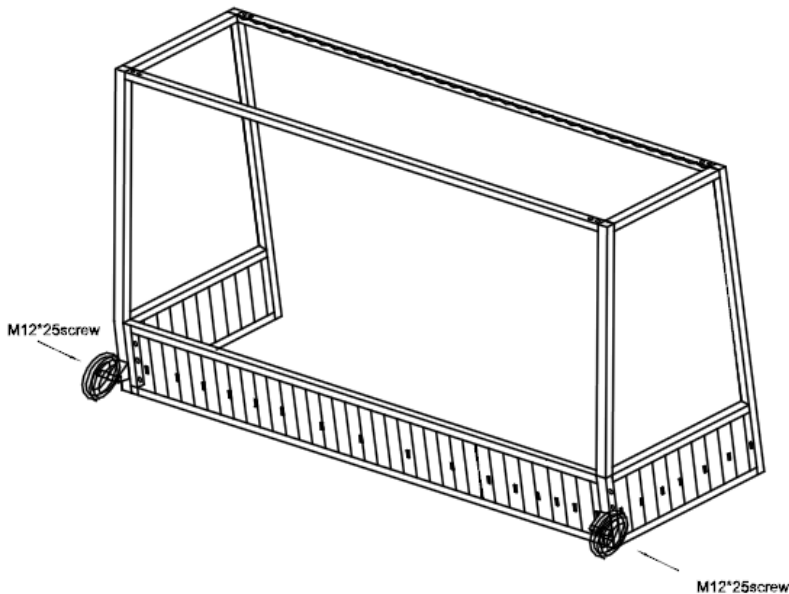
Step 2:

- Flip hockey goal back to normal position as shown in diagram below.
- Move backboard into position at the rear of the goal and in line with the bolt holes in the side frames. **Note: Make sure backboard is up the right way with hooks pointing downwards at the back of the backboard (so the net can be secured later).**
- Loosely bolt the side frames to the backboard with 3x M12x90mm bolts and washers at each end of the backboard. **Note: Take care to ensure the backboard is lined up correctly with both side stands before inserting bolts.**
- Once the backboard is attached tighten all 6 bolts firmly with 8mm Allen Key provided.



Step 3:

- Push Rubber wheel over the attachment at the rear of the side frame (as shown below). Once the shaft is flush with the outside of the wheel, attach wheel spacer (**with the smaller circular side fitting inside the wheel housing**).
- Fix wheel to shaft with 1x M12x30mm bolt and washer.
- Firmly tighten with 8mm Allen key, **make sure bolt is sufficiently tight** to avoid wheel coming loose when moving the goal.
- Repeat at other end of the goal.



Step 4:

- Drape Mayfield Sports Hockey net over the outside of the goal.
- Fasten the net with cable ties provided at regular intervals to the front crossbar and front of both side frames.
- Take care to ensure that the net guide ropes (ropes that are threaded through the net in line with the frame) line up with the goal correctly.
- Attach the bottom of the net to the hooks on both side frames and backboard.
- Trim off excess cable tie length with scissors or wire cutters.

